

1

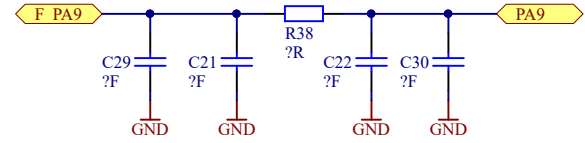
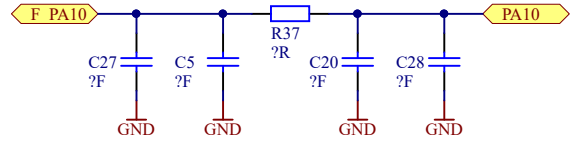
2

3

4

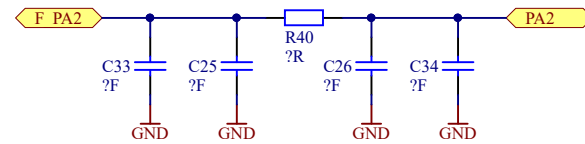
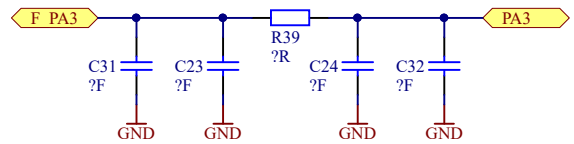
A

A



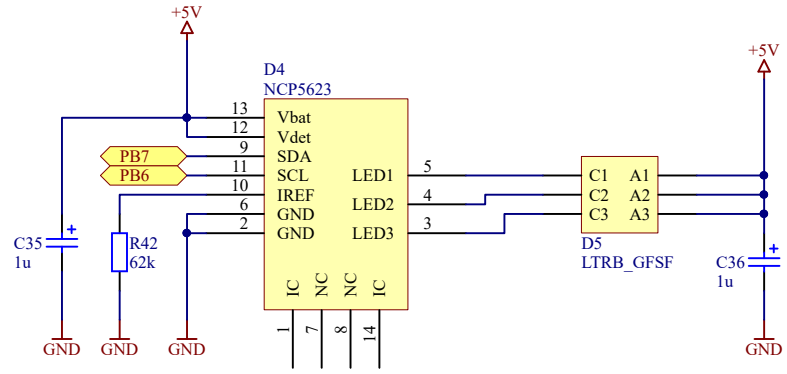
B

B



C

C



D

D

Title			<b>Basisplatine</b>		
Size	Number	Revision		Ver. 3.0	
A4	<b>Diplomarbeit 2017/18 4BHEL</b>				
Date:	27.03.2018	Sheet	6of	7	
File:	D:\Desktop\ARM EURO Platine6.Sch		Drawn By:	Schuh Kevin	

1

2

3

4